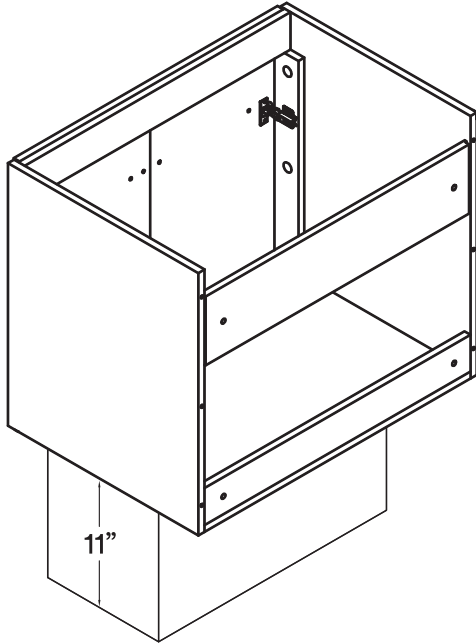
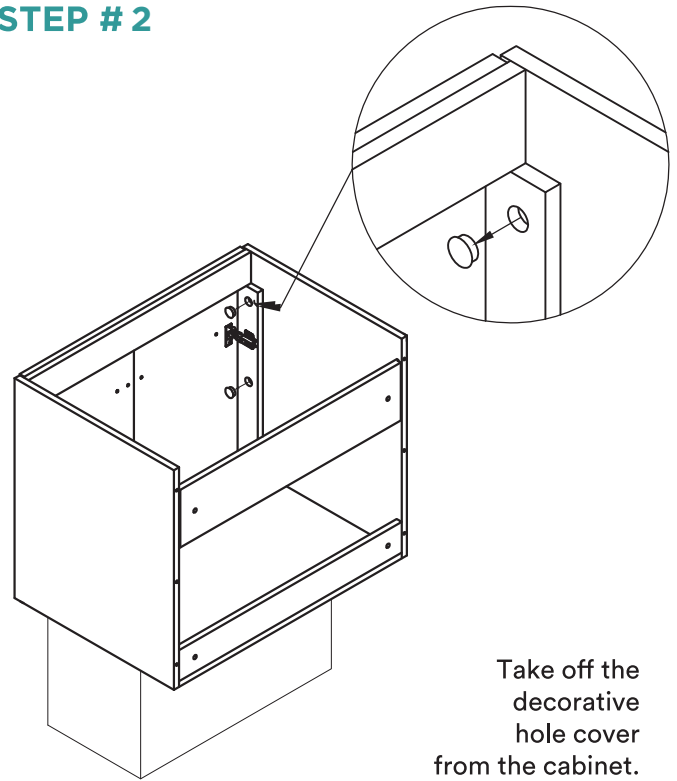


STEP #1



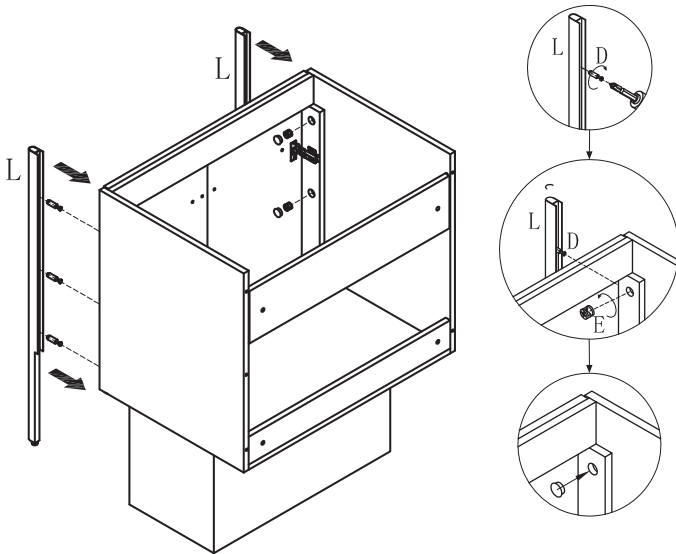
Put the cabinet above 11" from the floor.

STEP #2



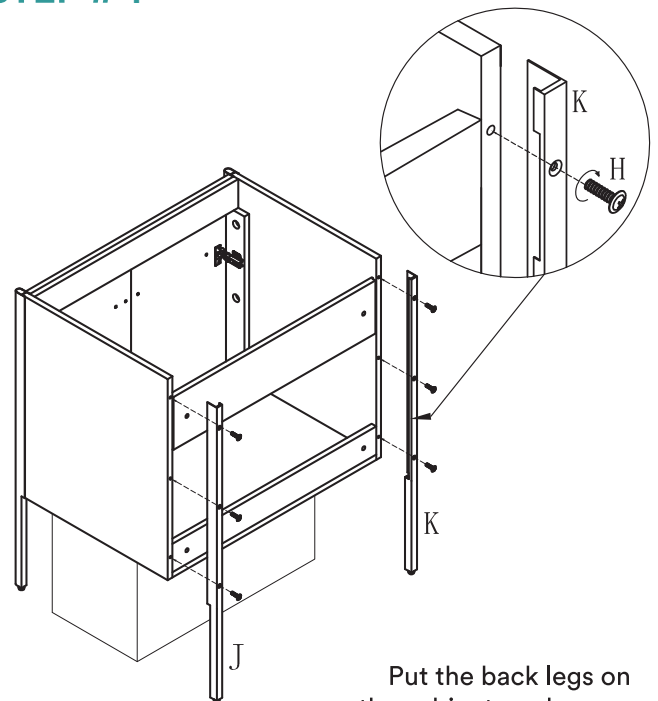
Take off the decorative hole cover from the cabinet.

STEP #3



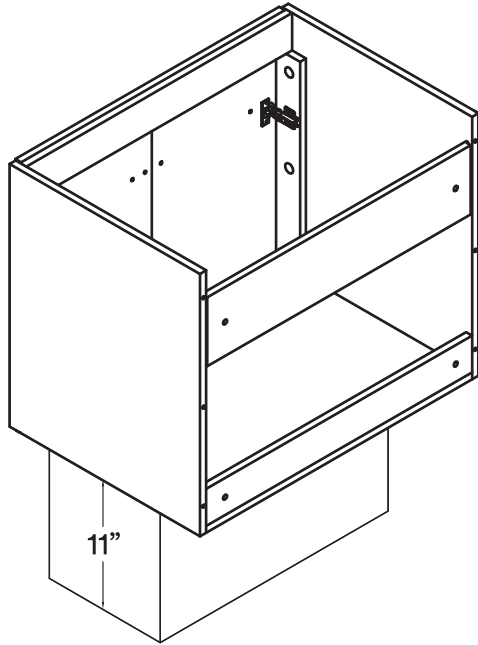
Install screw part D on the front legs, Put the legs on the cabinet and screw the cam-lock E tightly, re-cover the decorative hole cover on the panel.

STEP #4



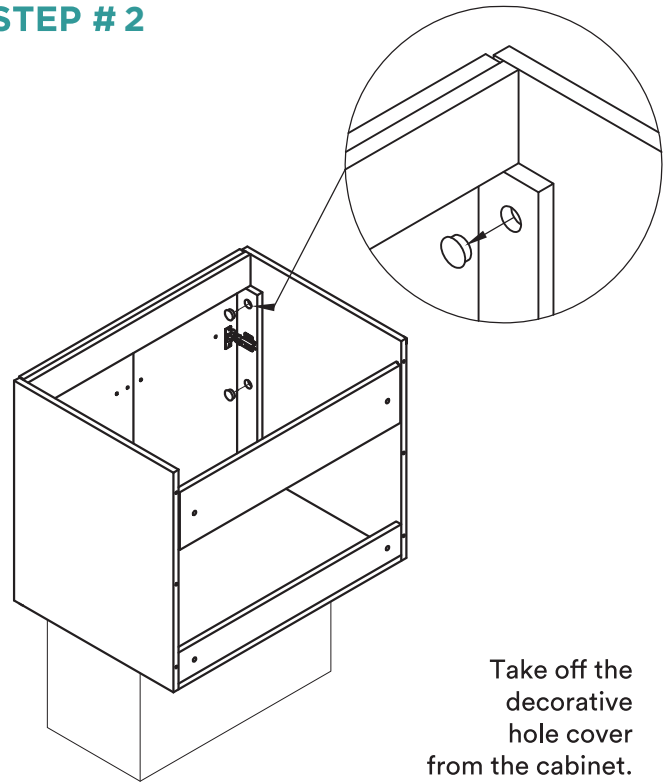
Put the back legs on the cabinet, and screw part H on the legs.

STEP #1



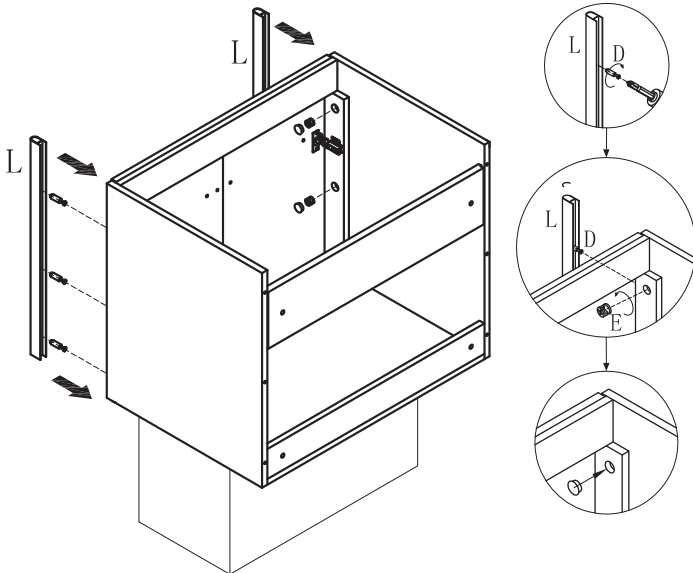
Place the cabinet on an objet (box, small table, etc.)

STEP #2



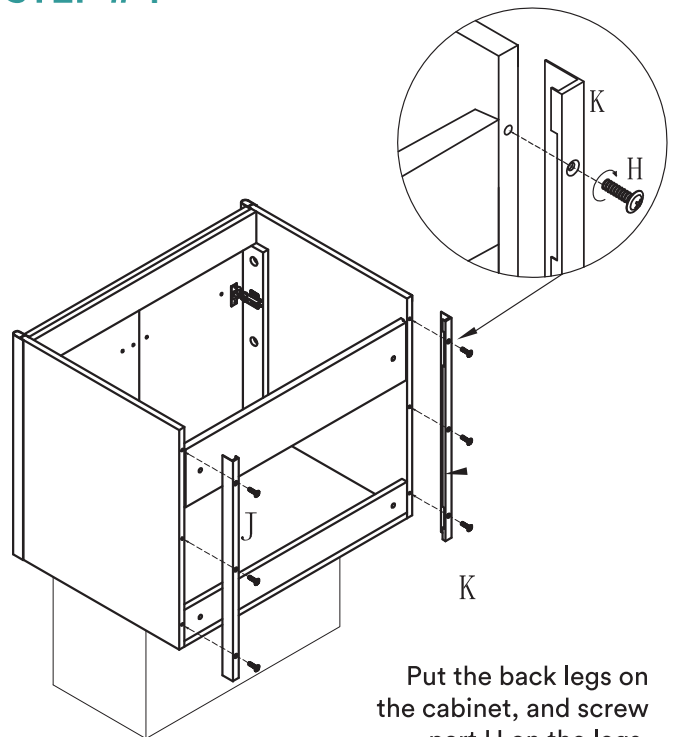
Take off the decorative hole cover from the cabinet.

STEP #3



Install screw part D on the front legs, Put the legs on the cabinet and screw the cam-lock E tightly, re-cover the decorative hole cover on the panel.

STEP #4



Put the back legs on the cabinet, and screw part H on the legs.